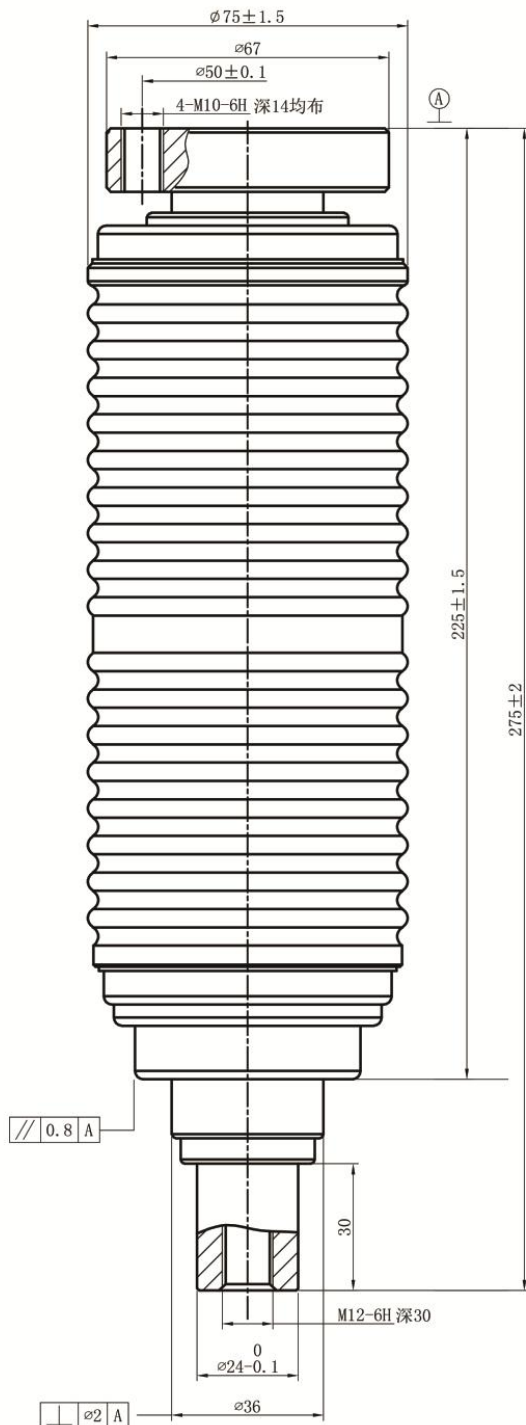


## TD-12/630-20 (JUC612) 真空断路器用真空灭弧室 VACUUM INTERRUPTER FOR CIRCUIT BREAKER

用于VS1



### 主要技术参数 Main technique parameters

项目 Items	数值 Value
额定电压 Rated voltage	12KV
额定电流 Rated current	630A
额定频率 Rated frequency	50Hz
额定短时工频耐受电压 (1min) Rated power frequency withstand voltage	42kV
额定雷电冲击耐受电压 Rated lightning impulse withstand voltage	75kV
额定短路开断电流 Rated short circuit breaking current	20KA
额定短路关合电流 (峰值) Rated short circuit making current(peak value)	50KA
额定短路开断电流开断次数 Breaking operations under rated short circuit breaking current	30 times
额定短时耐受电流 Rated short time withstand current	20kA
额定峰值耐受电流 Rated withstand current(peak value)	50kA
额定短路持续时间 Rated duration of short circuit	4s
机械寿命 Mechanical life	20000 times
触头自闭力 Closing force due to bellows and atmosphere	80 ± 30N
额定开距下触头反力 Force required to hold contacts opening at full stroke	140 ± 40N
额定触头压力下限时的回路电阻 Circuit resistance at minimum contacts force	≤25 μ Ω
贮存期 Storage life	20 years
触头允许磨损厚度 Limiting abrasion of contacts	3mm

### 配用的真空断路器的机械参数 Mechanical requirements of vacuum circuit breaker

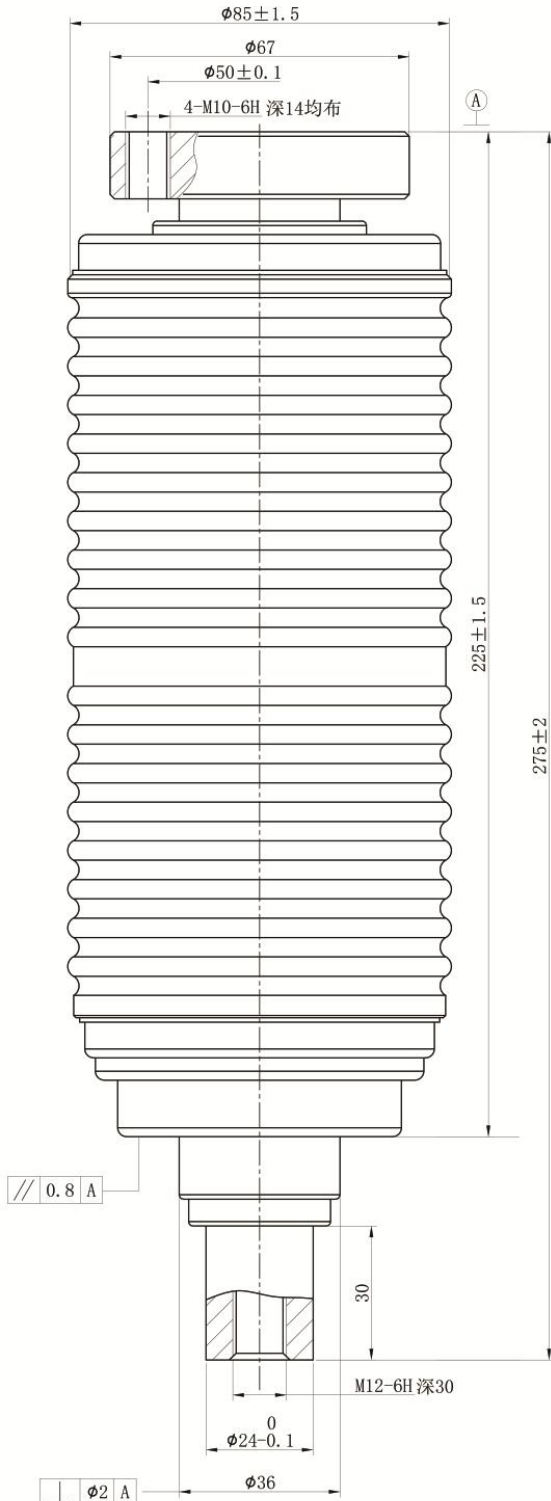
项目 Items	数值 Value
触头开距 Clearance between opening contacts	11 ± 1mm
平均分闸速度 (触头闭合位置~75%开距) Average opening speed(Contacts closing position~75% contacts opening distance)	1.1 ± 0.2 m/s
平均合闸速度(30%开距~触头闭合位置) Average closing speed(30% contacts opening distance~contacts closing position)	0.6 ± 0.2 m/s
额定触头压力 Rated contacts pressure	2000 ± 200N
触头合闸弹跳时间 Contacts bouncing duration at closing operation	≤2ms
触头分闸反弹幅值 Contacts re-bouncing clearance at opening operation	≤2mm
三相同期性 Synchronism of three phases	≤1ms

\*Contacts material is CuCr  
 \*Longitudinal magnetic field cup structure

TD-12/630-25 (JUC613A)  
 TD-12/1250-25 (JUC613)

## 真空断路器用真空灭弧室 VACUUM INTERRUPTER FOR CIRCUIT BREAKER

用于VS1



### 主要技术参数 Main technique parameters

项目 Items	数值 Value
额定电压 Rated voltage	12KV
额定电流 Rated current	630A/1250A
额定频率 Rated frequency	50Hz
额定短时工频耐受电压 (1min) Rated power frequency withstand voltage	42kV
额定雷电冲击耐受电压 Rated lightning impulse withstand voltage	75kV
额定短路开断电流 Rated short circuit breaking current	25KA
额定短路关合电流 (峰值) Rated short circuit making current(peak value)	63KA
额定短路开断电流开断次数 Breaking operations under rated short circuit breaking current	30 times
额定短时耐受电流 Rated short time withstand current	25kA
额定峰值耐受电流 Rated withstand current(peak value)	63kA
额定短路持续时间 Rated duration of short circuit	4s
机械寿命 Mechanical life	20000 times
触头自闭力 Closing force due to bellows and atmosphere	80 ± 40N
额定开距下触头反力 Force required to hold contacts opening at full stroke	120 ± 50N
额定触头压力下限时的回路电阻 Circuit resistance at minimum contacts force	≤ 25 μ Ω
贮存期 Storage life	20 years
触头允许磨损厚度 Limiting abrasion of contacts	3mm

### 配用的真空断路器的机械参数 Mechanical requirements of vacuum circuit breaker

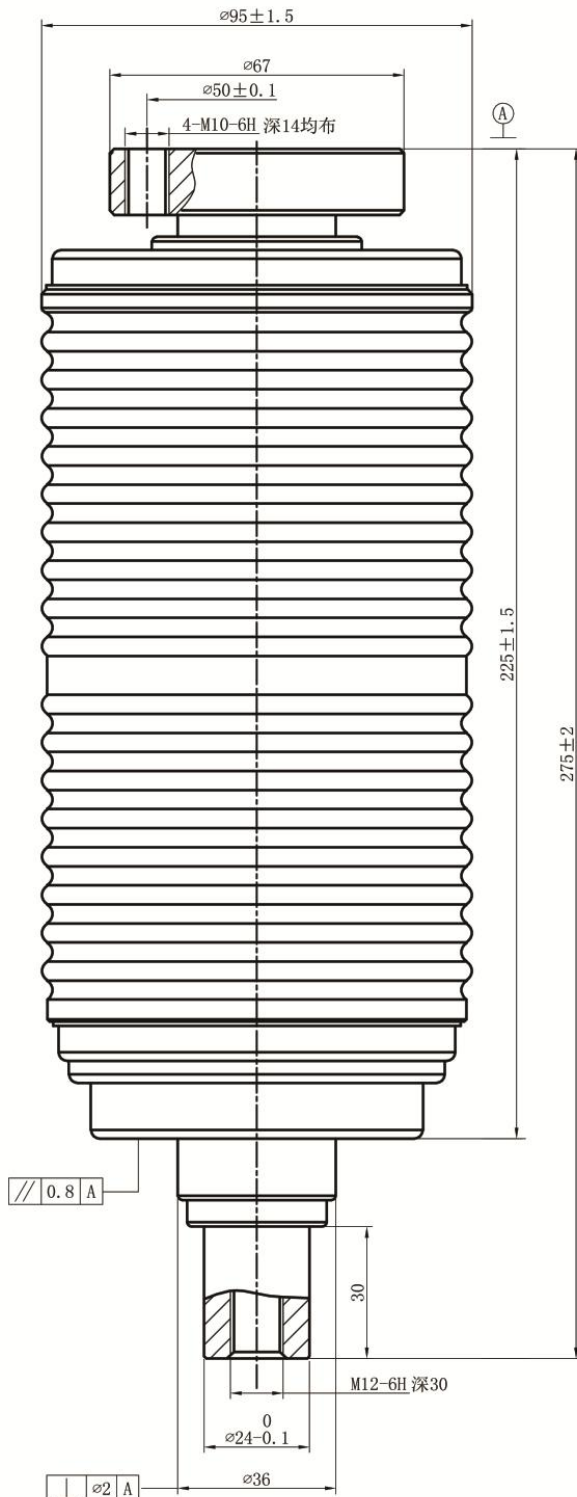
项目 Items	数值 Value
触头开距 Clearance between opening contacts	11 ± 1mm
平均开闸速度 (触头闭合位置~75%开距) Average opening speed(Contacts closing position~75% contacts opening distance)	1.1 ± 0.2 m/s
平均合闸速度(30%开距~触头闭合位置) Average closing speed(30% contacts opening distance~contacts closing position)	0.6 ± 0.2 m/s
额定触头压力 Rated contacts pressure	2000 ± 200N
触头合闸弹跳时间 Contacts bouncing duration at closing operation	≤ 2ms
触头分闸反弹幅值 Contacts re-bouncing clearance at opening operation	≤ 2mm
三相同期性 Synchronism of three phases	≤ 1ms

\*Contacts material is CuCr  
 \*Longitudinal magnetic field cup structure

TD-12/1250-31.5(JUC618)  
 TD-12/1600-31.5(JUC618A)

## 真空断路器用真空灭弧室 VACUUM INTERRUPTER FOR CIRCUIT BREAKER

用于VS1



### 主要技术参数 Main technique parameters

项目 Items	数值 Value
额定电压 Rated voltage	12KV
额定电流 Rated current	1250A/1600A
额定频率 Rated frequency	50Hz
额定短时工频耐受电压(1min) Rated power frequency withstand voltage	42kV
额定雷电冲击耐受电压 Rated lightning impulse withstand voltage	75kV
额定短路开断电流 Rated short circuit breaking current	31.5KA
额定短路关合电流(峰值) Rated short circuit making current(peak value)	80KA
额定短路开断电流开断次数 Breaking operations under rated short circuit breaking current	30 times
额定短时耐受电流 Rated short time withstand current	31.5kA
额定峰值耐受电流 Rated withstand current(peak value)	80kA
额定短路持续时间 Rated duration of short circuit	4s
机械寿命 Mechanical life	20000 times
触头自闭力 Closing force due to bellows and atmosphere	120 ± 50N
额定开距下触头反力 Force required to hold contacts opening at full stroke	190 ± 50N
额定触头压力下限时的回路电阻 Circuit resistance at minimum contacts force	≤25 μ Ω
贮存期 Storage life	20 years
触头允许磨损厚度 Limiting abrasion of contacts	3mm

### 配用的真空断路器的机械参数 Mechanical requirements of vacuum circuit breaker

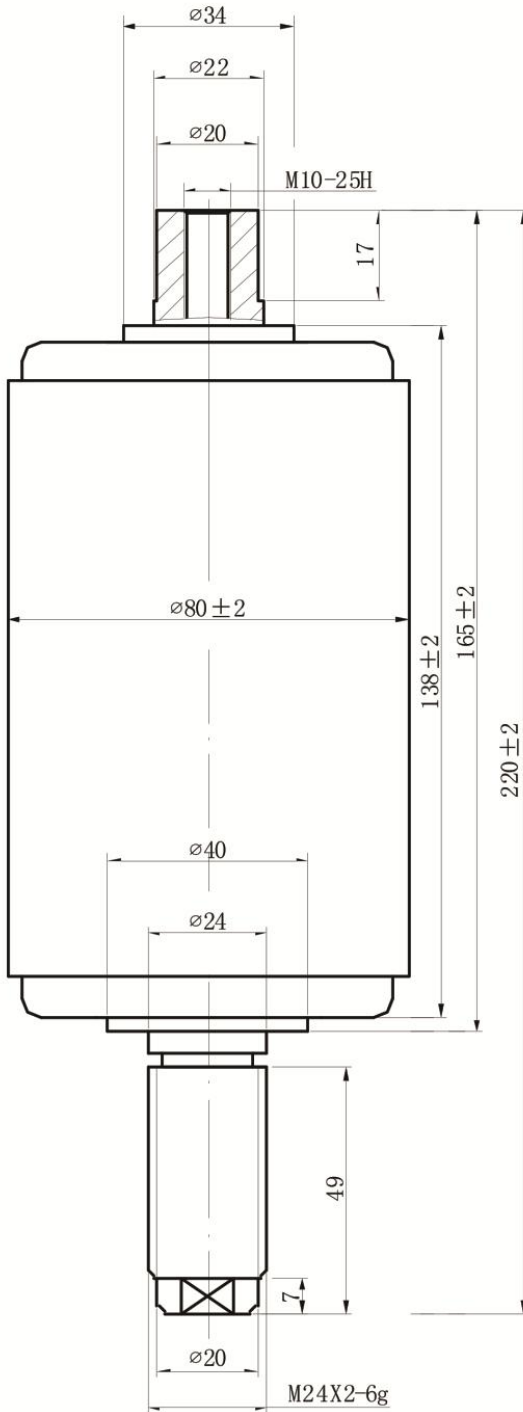
项目 Items	数值 Value
触头开距 Clearance between opening contacts	11 ± 1mm
平均分闸速度(触头闭合位置~75%开距) Average opening speed(Contacts closing position~75% contacts opening distance)	1.1 ± 0.2 m/s
平均合闸速度(30%开距~触头闭合位置) Average closing speed(30% contacts opening distance~contacts closing position)	0.6 ± 0.2 m/s
额定触头压力 Rated contacts pressure	3150 ± 200N
触头合闸弹跳时间 Contacts bouncing duration at closing operation	≤2ms
触头分闸反弹幅值 Contacts re-bouncing clearance at opening operation	≤2mm
三相同期性 Synchronism of three phases	≤1ms

\*Contacts material is CuCr  
 \*Longitudinal magnetic field cup structure

## TD-12/630-25(JUC610)

## 真空断路器用真空灭弧室 VACUUM INTERRUPTER FOR CIRCUIT BREAKER

用于ZW32



### 主要技术参数 Main technique parameters

项目 Items	数值 Value
额定电压 Rated voltage	12KV
额定电流 Rated current	630A
额定频率 Rated frequency	50Hz
额定短时工频耐受电压(1min) Rated power frequency withstand voltage	42kV
额定雷电冲击耐受电压 Rated lightning impulse withstand voltage	75kV
额定短路开断电流 Rated short circuit breaking current	25KA
额定短路关合电流(峰值) Rated short circuit making current(peak value)	63KA
额定短路开断电流开断次数 Breaking operations under rated short circuit breaking current	30 times
额定单个电容器组开断电流 Rated single capacitor bank breaking current	400A
额定短时耐受电流 Rated short time withstand current	25kA
额定峰值耐受电流 Rated withstand current(peak value)	63kA
额定短路持续时间 Rated duration of short circuit	4s
机械寿命 Mechanical life	10000 times
触头自闭力 Closing force due to bellows and atmosphere	70±40N
额定开距下触头反力 Force required to hold contacts opening at full stroke	120±50N
额定触头压力下限时的回路电阻 Circuit resistance at minimum contacts force	≤25μΩ
贮存期 Storage life	20 years
触头允许磨损厚度 Limiting abrasion of contacts	3mm
运动部分质量 Weight of moving parts	≤0.7kg

### 配用的真空断路器的机械参数 Mechanical requirements of vacuum circuit breaker

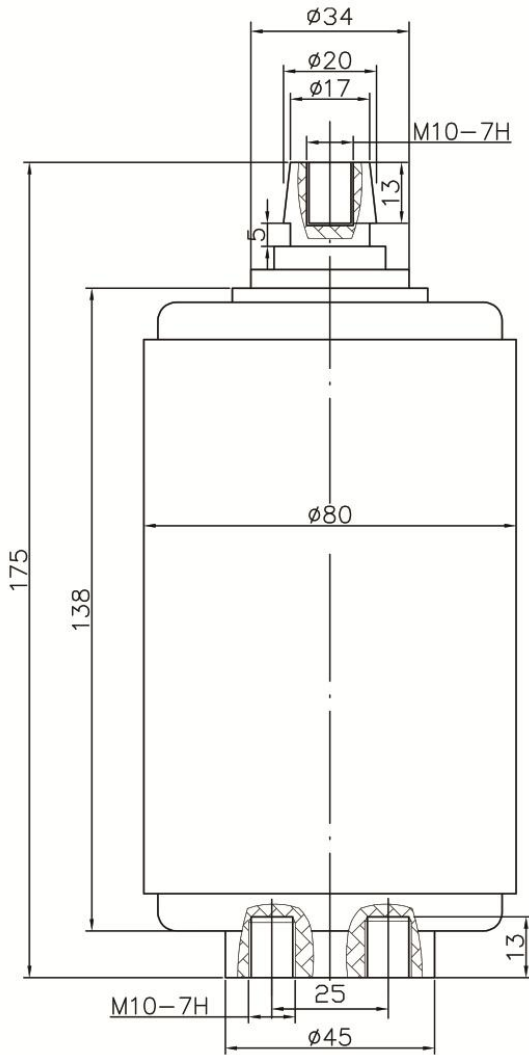
项目 Items	数值 Value
触头开距 Clearance between opening contacts	9±1mm
平均分闸速度(触头闭合位置~75%开距) Average opening speed(Contacts closing position~75% contacts opening distance)	1.0±0.25 m/s
平均合闸速度(30%开距~触头闭合位置) Average closing speed(30% contacts opening distance~contacts closing position)	0.65±0.15 m/s
额定触头压力 Rated contacts pressure	1600±100N
触头合闸弹跳时间 Contacts bouncing duration at closing operation	≤2ms
触头分闸反弹幅值 Contacts re-bouncing clearance at opening operation	≤2mm
三相同期性 Synchronism of three phases	≤1ms

\*Contacts material is CuCr

\*Longitudinal magnetic field cup structure

JTD-12/630-20(JUC610D)  
 JTD-12/1250-25(JUC610E)

## 真空断路器用真空灭弧室 VACUUM INTERRUPTER FOR CIRCUIT BREAKER



### 主要技术参数 Main technique parameters

项目 Items	数值 Value
额定电压 Rated voltage	12KV
额定电流 Rated current	630A/1250A
额定频率 Rated frequency	50Hz
额定短时工频耐受电压(1min) Rated power frequency withstand voltage	42kV
额定雷电冲击耐受电压 Rated lightning impulse withstand voltage	75kV
额定短路开断电流 Rated short circuit breaking current	20KA/25KA
额定短路关合电流(峰值) Rated short circuit making current(peak value)	50KA/63KA
额定短路开断电流开断次数 Breaking operations under rated short circuit breaking current	30 times
额定单个电容器组开断电流 Rated single capacitor bank breaking current	400A
额定短时耐受电流 Rated short time withstand current	20/25kA
额定峰值耐受电流 Rated withstand current(peak value)	50/63kA
额定短路持续时间 Rated duration of short circuit	4s
机械寿命 Mechanical life	10000 times
触头自闭力 Closing force due to bellows and atmosphere	70 ± 40N
额定开距下触头反力 Force required to hold contacts opening at full stroke	120 ± 50N
额定触头压力下限时的回路电阻 Circuit resistance at minimum contacts force	≤25 μ Ω
贮存期 Storage life	20 years
触头允许磨损厚度 Limiting abrasion of contacts	3mm
运动部分质量 Weight of moving parts	≤0.7kg

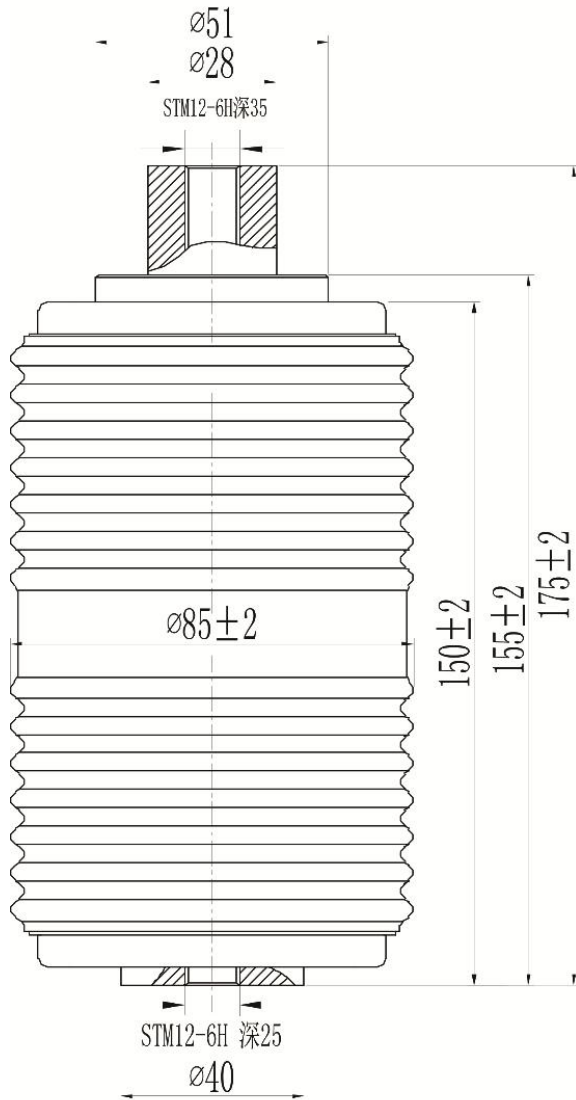
### 配用的真空断路器的机械参数 Mechanical requirements of vacuum circuit breaker

项目 Items	数值 Value
触头开距 Clearance between opening contacts	9 ± 1mm
平均分闸速度(触头闭合位置~75%开距) Average opening speed(Contacts closing position~75% contacts opening distance)	1.0 ± 0.25 m/s
平均合闸速度(30%开距~触头闭合位置) Average closing speed(30% contacts opening distance~contacts closing position)	0.65 ± 0.15 m/s
额定触头压力 Rated contacts pressure	1600 ± 100N
触头合闸弹跳时间 Contacts bouncing duration at closing operation	≤2ms
触头分闸反弹幅值 Contacts re-bouncing clearance at opening operation	≤2mm
三相同期性 Synchronism of three phases	≤1ms

\*Contacts material is CuCr  
 \*Longitudinal magnetic field cup structure

**TD2-12/630-25(JUC611A) 断路器固封极柱用真空灭弧室**  
**TD2-12/1250-25(JUC611) VACUUM INTERRUPTER FOR CIRCUIT BREAKER EMBEDDED POLE**

用于VS1固封



**主要技术参数**  
**Main technique parameters**

项目 Items	数值 Value
额定电压 Rated voltage	12KV
额定电流 Rated current	630A/1250A
额定频率 Rated frequency	50Hz
额定短时工频耐受电压(1min) Rated power frequency withstand voltage	42kV
额定雷电冲击耐受电压 Rated lightning impulse withstand voltage	75kV
额定短路开断电流 Rated short circuit breaking current	25KA
额定短路关合电流(峰值) Rated short circuit making current(peak value)	63KA
额定短路开断电流开断次数 Breaking operations under rated short circuit breaking current	30 times
额定短时耐受电流 Rated short time withstand current	25kA
额定峰值耐受电流 Rated withstand current(peak value)	50KA/63KA
额定短路持续时间 Rated duration of short circuit	4s
机械寿命 Mechanical life	20000 times
触头自闭力 Closing force due to bellows and atmosphere	80 ± 40N
额定开距下触头反力 Force required to hold contacts opening at full stroke	120 ± 50N
额定触头压力下限时的回路电阻 Circuit resistance at minimum contacts force	≤20 μ Ω
贮存期 Storage life	20 years
触头允许磨损厚度 Limiting abrasion of contacts	3mm

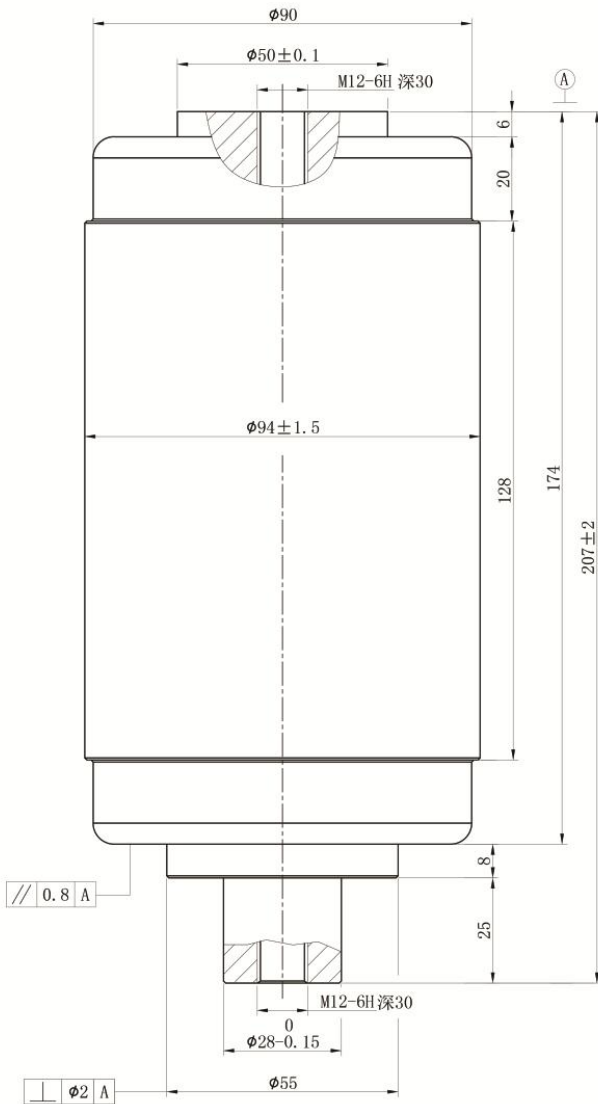
**配用的真空断路器的机械参数**  
**Mechanical requirements of vacuum circuit breaker**

项目 Items	数值 Value
触头开距 Clearance between opening contacts	11 ± 1mm
平均分闸速度(触头闭合位置-75%开距) Average opening speed(Contacts closing position-75% contacts opening distance)	1.1 ± 0.2 m/s
平均合闸速度(30%开距-触头闭合位置) Average closing speed(30% contacts opening distance-contacts closing position)	0.6 ± 0.2 m/s
额定触头压力 Rated contacts pressure	2000 ± 200N
触头合闸弹跳时间 Contacts bouncing duration at closing operation	≤2ms
触头分闸反弹幅值 Contacts re-bouncing clearance at opening operation	≤2mm
三相同期性 Synchronism of three phases	≤1ms

\*Contacts material is CuCr  
 \*Longitudinal magnetic field cup structure

**TD2-12/1250-31.5(JUC619A) 断路器固封极柱用真空灭弧室**  
**TD2-12/1600-31.5(JUC619) VACUUM INTERRUPTER FOR CIRCUIT BREAKER EMBEDDED POLE**

用于VS1固封



**主要技术参数**  
**Main technique parameters**

项目 Items	数值 Value
额定电压 Rated voltage	12KV
额定电流 Rated current	1250/1600A
额定频率 Rated frequency	50Hz
额定短时工频耐受电压(1min)* Rated power frequency withstand voltage	48kV
额定雷电冲击耐受电压* Rated lightning impulse withstand voltage	85kV
额定短路开断电流 Rated short circuit breaking current	31.5KA
额定短路关合电流(峰值) Rated short circuit making current(peak value)	80KA
额定短路开断电流开断次数 Breaking operations under rated short circuit breaking current	30 times
额定短时耐受电流 Rated short time withstand current	31.5kA
额定峰值耐受电流 Rated withstand current(peak value)	80KA
额定短路持续时间 Rated duration of short circuit	4s
机械寿命 Mechanical life	10000 times
触头自闭力 Closing force due to bellows and atmosphere	120 ± 50N
额定开距下触头反力 Force required to hold contacts opening at full stroke	190 ± 50N
额定触头压力下限时的回路电阻 Circuit resistance at minimum contacts force	≤25 μ Ω
贮存期 Storage life	20 years
触头允许磨损厚度 Limiting abrasion of contacts	3mm

**配用的真空断路器的机械参数**  
**Mechanical requirements of vacuum circuit breaker**

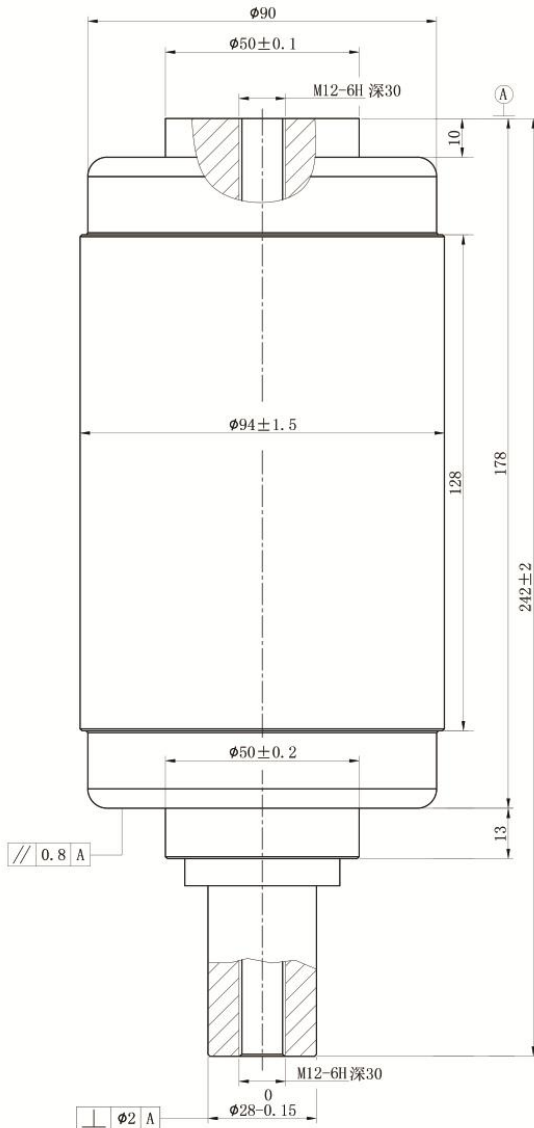
项目 Items	数值 Value
触头开距 Clearance between opening contacts	11 ± 1mm
平均分闸速度(触头闭合位置~75%开距) Average opening speed(Contacts closing position~75% contacts opening distance)	1.1 ± 0.2 m/s
平均合闸速度(30%开距~触头闭合位置) Average closing speed(30% contacts opening distance~contacts closing position)	0.6 ± 0.2 m/s
额定触头压力 Rated contacts pressure	3150 ± 200N
触头合闸弹跳时间 Contacts bouncing duration at closing operation	≤2ms
触头分闸反弹幅值 Contacts re-bouncing clearance at opening operation	≤2mm
三相同期性 Synchronism of three phases	≤1ms

\*Contacts material is CuCr  
 \*Longitudinal magnetic field cup structure

Remarks:  
 \* 需外绝缘保护。  
 \* It Needs additional insulating protection.

**TD2-12/1250-31.5(JUC619D) 断路器固封极柱用真空灭弧室**  
**TD2-12/1600-31.5(JUC619C) VACUUM INTERRUPTER FOR CIRCUIT BREAKER EMBEDDED POLE**

用于VS1固封



**主要技术参数**  
Main technique parameters

项目 Items	数值 Value
额定电压 Rated voltage	12KV
额定电流 Rated current	1250/1600A
额定频率 Rated frequency	50Hz
额定短时工频耐受电压(1min)* Rated power frequency withstand voltage	48kV
额定雷电冲击耐受电压* Rated lightning impulse withstand voltage	85kV
额定短路开断电流 Rated short circuit breaking current	31.5KA
额定短路关合电流(峰值) Rated short circuit making current(peak value)	80KA
额定短路开断电流开断次数 Breaking operations under rated short circuit breaking current	30 times
额定短时耐受电流 Rated short time withstand current	31.5kA
额定峰值耐受电流 Rated withstand current(peak value)	80KA
额定短路持续时间 Rated duration of short circuit	4s
机械寿命 Mechanical life	10000 times
触头自闭力 Closing force due to bellows and atmosphere	120 ± 50N
额定开距下触头反力 Force required to hold contacts opening at full stroke	190 ± 50N
额定触头压力下限时的回路电阻 Circuit resistance at minimum contacts force	≤25 μ Ω
贮存期 Storage life	20 years
触头允许磨损厚度 Limiting abrasion of contacts	3mm

**配用的真空断路器的机械参数**  
Mechanical requirements of vacuum circuit breaker

项目 Items	数值 Value
触头开距 Clearance between opening contacts	11 ± 1mm
平均分闸速度(触头闭合位置~75%开距) Average opening speed(Contacts closing position~75% contacts opening distance)	1.1 ± 0.2 m/s
平均合闸速度(30%开距~触头闭合位置) Average closing speed(30% contacts opening distance~contacts closing position)	0.6 ± 0.2 m/s
额定触头压力 Rated contacts pressure	3150 ± 200N
触头合闸弹跳时间 Contacts bouncing duration at closing operation	≤2ms
触头分闸反弹幅值 Contacts re-bouncing clearance at opening operation	≤2mm
三相同期性 Synchronism of three phases	≤1ms

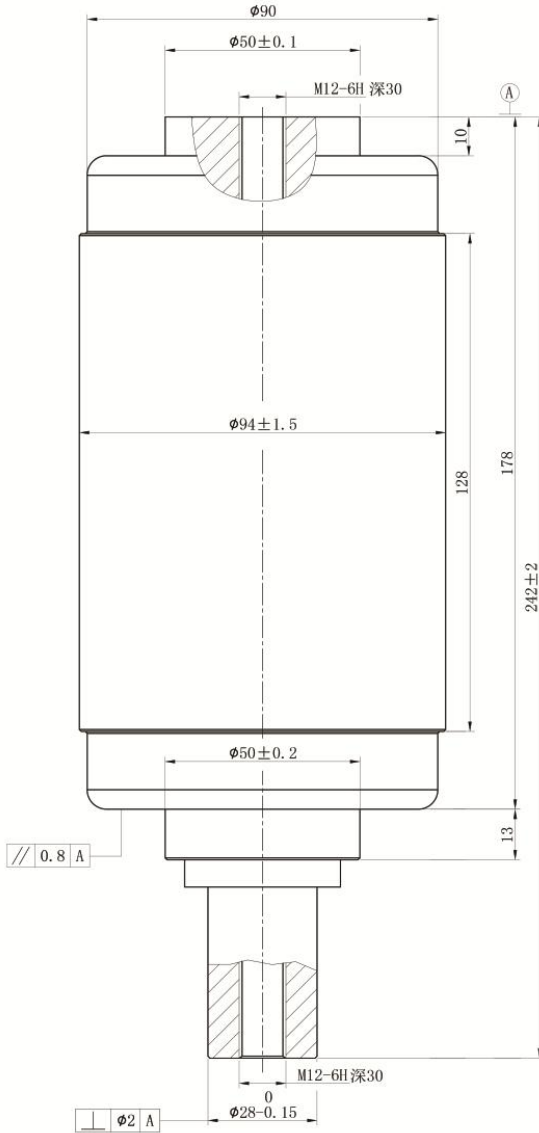
\*Contacts material is CuCr  
\*Longitudinal magnetic field cup structure

Remarks:  
\* 需外绝缘保护。  
\* It Needs additional insulating protection.



## TD2-24/1250-25(JUC619B) 断路器固封极柱用真空灭弧室 VACUUM INTERRUPTER FOR CIRCUIT BREAKER EMBEDDED POLE

用于VS1固封



### 主要技术参数 Main technique parameters

项目 Items	数值 Value
额定电压 Rated voltage	24KV
额定电流 Rated current	1250A
额定频率 Rated frequency	50Hz
额定短时工频耐受电压(1min)* Rated power frequency withstand voltage	79kV
额定雷电冲击耐受电压* Rated lightning impulse withstand voltage	145kV
额定短路开断电流 Rated short circuit breaking current	25KA
额定短路关合电流(峰值) Rated short circuit making current(peak value)	63KA
额定短路开断电流开断次数 Breaking operations under rated short circuit breaking current	30 times
额定短时耐受电流 Rated short time withstand current	25kA
额定峰值耐受电流 Rated withstand current(peak value)	63KA
额定短路持续时间 Rated duration of short circuit	4s
机械寿命 Mechanical life	10000 times
触头自闭力 Closing force due to bellows and atmosphere	120 ± 50N
额定开距下触头反力 Force required to hold contacts opening at full stroke	190 ± 50N
额定触头压力下限时的回路电阻 Circuit resistance at minimum contacts force	≤ 25 μ Ω
贮存期 Storage life	20 years
触头允许磨损厚度 Limiting abrasion of contacts	3mm

### 配用的真空断路器的机械参数 Mechanical requirements of vacuum circuit breaker

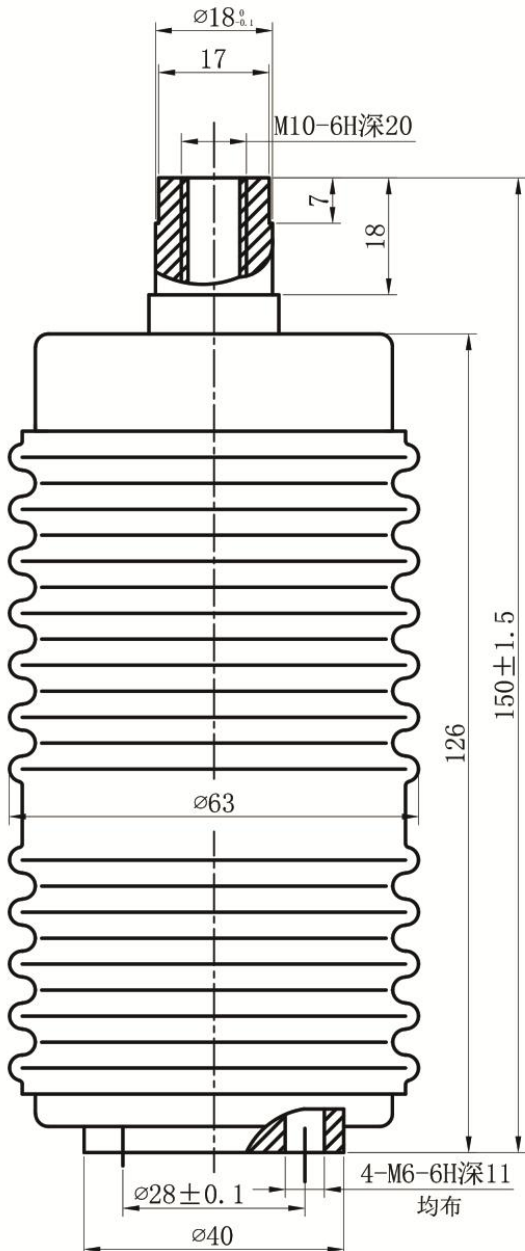
项目 Items	数值 Value
触头开距 Clearance between opening contacts	13 ± 1mm
平均分闸速度(触头闭合位置~75%开距) Average opening speed(Contacts closing position~75% contacts opening distance)	1.1 ± 0.2 m/s
平均合闸速度(30%开距~触头闭合位置) Average closing speed(30% contacts opening distance~contacts closing position)	0.7 ± 0.2 m/s
额定触头压力 Rated contacts pressure	2500 ± 200N
触头合闸弹跳时间 Contacts bouncing duration at closing operation	≤ 2ms
触头分闸反弹幅值 Contacts re-bouncing clearance at opening operation	≤ 2mm
三相同期性 Synchronism of three phases	≤ 1ms

\*Contacts material is CuCr  
 \*Longitudinal magnetic field cup structure

Remarks:  
 \*需外绝缘保护。  
 \* It Needs additional insulating protection.

## TF-12/630-20(JUC702) 真空负荷开关用真空灭弧室 VACUUM INTERRUPTER FOR LOAD BREAK SWITCH

用于FZN25



### 主要技术参数 Main technique parameters

项目 Items	数值 Value
额定电压 Rated voltage	12KV
额定电流 Rated current	630A
额定频率 Rated frequency	50Hz
额定短时工频耐受电压(1min) Rated power frequency withstand voltage	42kV
额定雷电冲击耐受电压 Rated lightning impulse withstand voltage	75kV
额定短时耐受电流 Rated short time withstand current	20KA
额定峰值耐受电流 Rated withstand current(peak value)	50KA
额定短路关合电流(峰值) Rated short circuit making current(peak value)	50KA
额定闭环开断电流 Rated closed-loop breaking current	630A
额定有功负载开断电流 Rated active load breaking current	630A
额定电缆充电开断电流 Rated cable charging breaking current	10A
额定短路持续时间 Rated duration of short circuit	4s
机械寿命 Mechanical life	10000 times
触头自闭力 Closing force due to bellows and atmosphere	70 ± 40N
额定开距下触头反力 Force required to hold contacts opening at full stroke	120 ± 50N
额定触头压力下限时的回路电阻 Circuit resistance at lowest rated contacts force	≤ 45 μ Ω
贮存期 Storage life	20 years
触头允许磨损厚度 Limiting abrasion of contacts	3mm

### 配用的真空负荷开关的机械参数 Mechanical requirements of load break switch

项目 Items	数值 Value
触头开距 Clearance between opening contacts	6 ± 1mm
平均分闸速度(触头闭合位置~75%开距) Average opening speed(Contacts closing position~75% contacts opening distance)	1.0 ± 0.2 m/s
平均合闸速度(30%开距~触头闭合位置) Average closing speed(30% contacts opening distance~contacts closing position)	0.6 ± 0.2 m/s
额定触头压力 Rated contacts pressure	900 ± 100N
触头合闸弹跳时间 Contacts bouncing duration at closing operation	≤ 2ms
触头分闸反弹幅值 Contacts re-bouncing clearance at opening operation	≤ 2mm
三相同期性 Synchronism of three phases	≤ 1ms

\*Contacts material is WCu10

JEP-12/1250-25A 真空断路器用固封极柱  
 JEP-12/1600-25A SOLID EMBEDDED POLES FOR CIRCUIT BREAKER



### 产品参数

#### Main specifications and technical parameters:

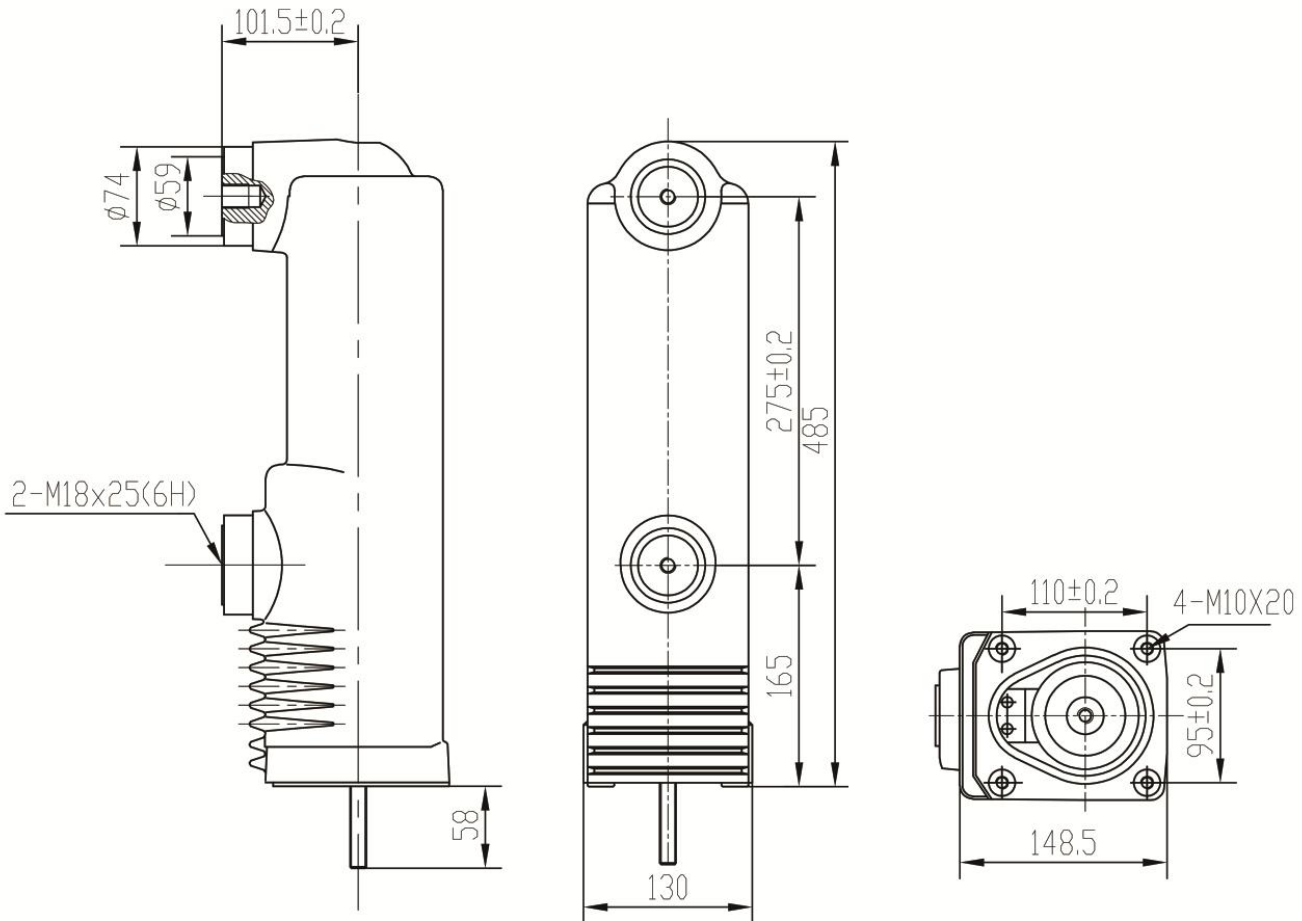
No.	项目 Item	参数 Data
1	额定电压 Rated voltage	12kV
2	额定电流 Rated current	1250/1600A
3	额定频率 Rated frequency	50/60Hz
4	额定短时(1min)工频耐受电压 Short time power frequency withstand voltage (1min)	48kV
5	额定雷电冲击耐受电压 Rated lightning impulse withstand voltage	85kV
6	额定短路开断电流 Rated short circuit breaking current	25kA
7	额定短路关合电流 (峰值) Rated short circuit making current (peak)	63kA
8	额定短路开断电流开断次数 Breaking operations of rated short circuit breaking current	30times
9	额定电容器组开断电流 Rated breaking current of capacitor bank	630A
10	额定短时耐受电流 Rated short time withstand current	25kA
11	额定峰值耐受电流 Rated peak withstand current	63kA
12	额定短路持续时间 Rated duration of short circuit	4s
13	机械寿命 Mechanical life	20000times
14	触头自闭力 Closing force due to bellow and atmosphere	120 ± 40N
15	触头额定开距时的反力 Force required to hold contacts open at full stroke	180 ± 50N
16	额定触头压力下限时的回路电阻 Circuit resistance at minimum contact force	≤25 μ Ω
17	贮存期 Storage time	20years
18	触头允许磨损厚度 Contact limit abrasion	3mm

**JEP-12/1250-25A 真空断路器用固封极柱**  
**JEP-12/1600-25A SOLID EMBEDDED POLES FOR CIRCUIT BREAKER**

**配套开关设备的机械参数**  
**Vacuum circuit breaker technical specifications**

No.	项目 Item	参数 Data
1	触头开距 Clearance between opening contacts	11 ± 1mm
2	触头接触行程 Contacts travel	3.5 ± 0.5mm
3	平均分闸速度 Average opening speed	1.0 ± 0.2m/s
4	平均合闸速度 Average closing speed	0.6 ± 0.2m/s
5	额定触头压力 Rated contacts pressure	2500 ± 200N
6	触头合闸弹跳时间 Contacts bouncing duration at closing operation	≤ 2ms
7	触头合闸及分闸不同期性 Closing and opening non-simultaneity of three phase contacts	≤ 2ms

**外形及安装尺寸**  
**Overall and installation dimensions**



JEP-12/1250-25B 真空断路器用固封极柱  
 JEP-12/1600-25B SOLID EMBEDDED POLES FOR CIRCUIT BREAKER



## 产品参数

### Main specifications and technical parameters:

No.	项目 Item	参数 Data
1	额定电压 Rated voltage	12kV
2	额定电流 Rated current	1250/1600A
3	额定频率 Rated frequency	50/60Hz
4	额定短时(1min)工频耐受电压 Short time power frequency withstand voltage (1min)	48kV
5	额定雷电冲击耐受电压 Rated lightning impulse withstand voltage	85kV
6	额定短路开断电流 Rated short circuit breaking current	25kA
7	额定短路关合电流(峰值) Rated short circuit making current (peak)	63kA
8	额定短路开断电流开断次数 Breaking operations of rated short circuit breaking current	30times
9	额定电容器组开断电流 Rated breaking current of capacitor bank	630A
10	额定短时耐受电流 Rated short time withstand current	25kA
11	额定峰值耐受电流 Rated peak withstand current	63kA
12	额定短路持续时间 Rated duration of short circuit	4s
13	机械寿命 Mechanical life	20000times
14	触头自闭力 Closing force due to bellow and atmosphere	140 ± 50N
15	触头额定开距时的反力 Force required to hold contacts open at full stroke	230 ± 50N
16	额定触头压力下限时的回路电阻 Circuit resistance at minimum contact force	≤25 μ Ω
17	贮存期 Storage time	20years
18	触头允许磨损厚度 Contact limit abrasion	3mm

**JEP-12/1250-25B 真空断路器用固封极柱**  
**JEP-12/1600-25B SOLID EMBEDDED POLES FOR CIRCUIT BREAKER**

**配用开关设备的机械参数**  
**Vacuum circuit breaker technical specifications**

No.	项目 Item	参数 Data
1	触头开距 Clearance between opening contacts	9 ± 1mm
2	触头接触行程 Contacts travel	3.5 ± 0.5mm
3	平均分闸速度 Average opening speed	1.0 ± 0.2m/s
4	平均合闸速度 Average closing speed	0.6 ± 0.1m/s
5	额定触头压力 Rated contacts pressure	2500 ± 200N
6	触头合闸弹跳时间 Contacts bouncing duration at closing operation	≤ 2ms
7	触头合闸及分闸不同期性 Closing and opening non-simultaneity of three phase contacts	≤ 1ms

**外形及安装尺寸**  
**Overall and installation dimensions**

